

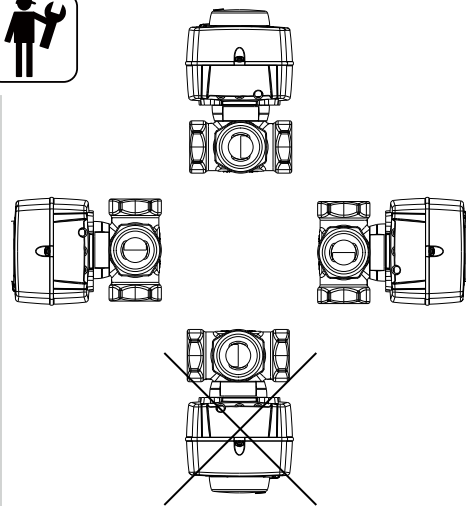
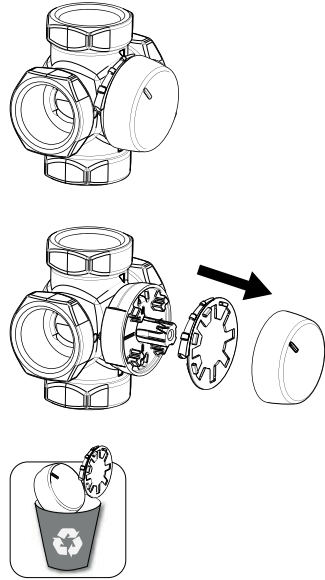
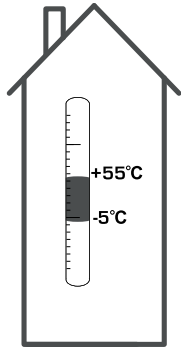
ESBE SERIES ARA600 2-Point



Series ARA6x5
Series ARA6x6
Series ARA6x7
Series ARA6x8

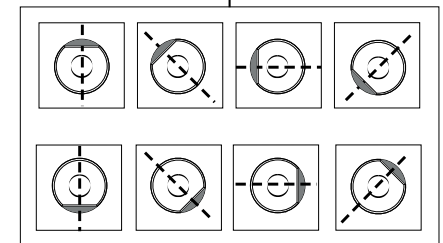
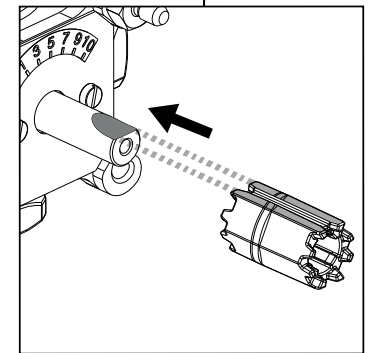
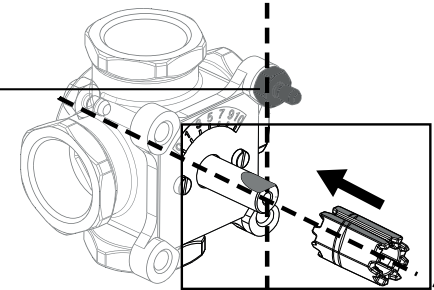
CE

LVD 2014/35/EU
EMC 2014/30/EU
RoHS 2011/65/EU



Series MG, G, F, H, HG, BIV, T, TM

	DN15-25	
	DN20-40	
	DN50	
	DN20-25	
	DN32-50	
	H: DN25	
	H: DN32-50	
	HG: DN25	
	DN20-22	
	DN25	
	T: DN20-32	
	TM: DN20	



+



VRG, VRB, VRH

3MG, 4MG



3G, 4G

3F, 4F ≤ DN50

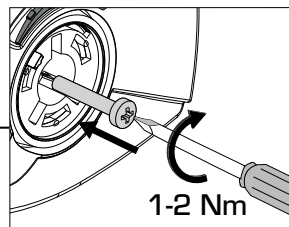
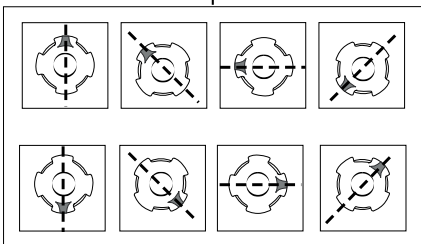
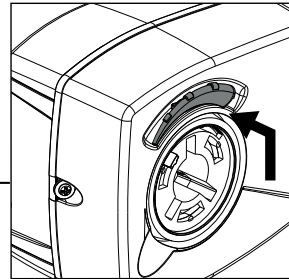
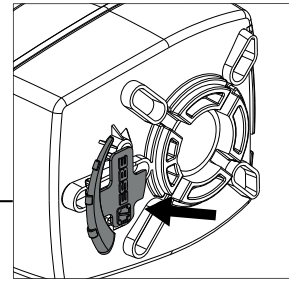
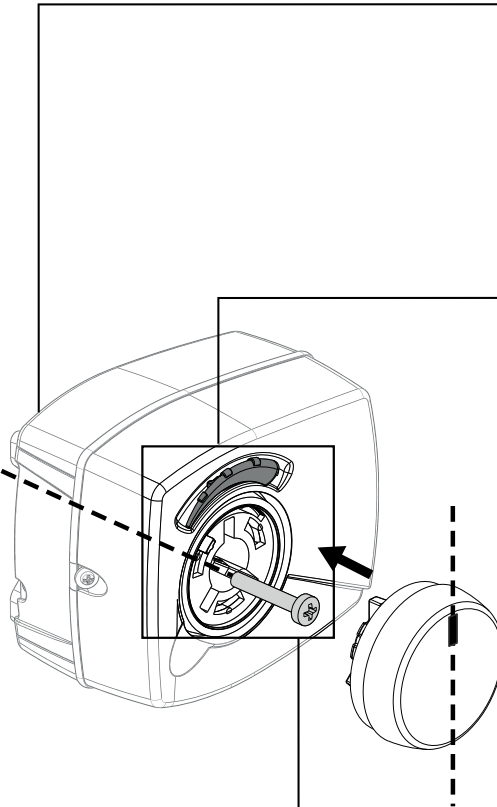
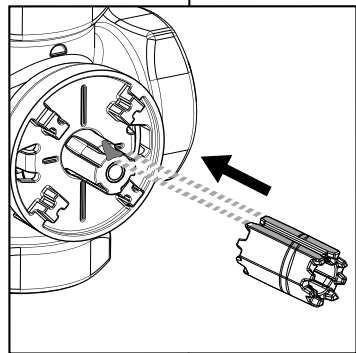
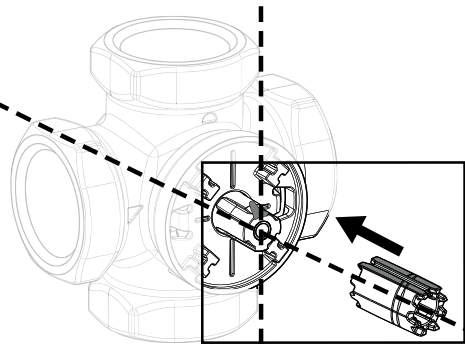
3HG, 4HG, 3H, 4H



BIV

T, TM

Series VRGxxx, VRBxxx, VRHxxx



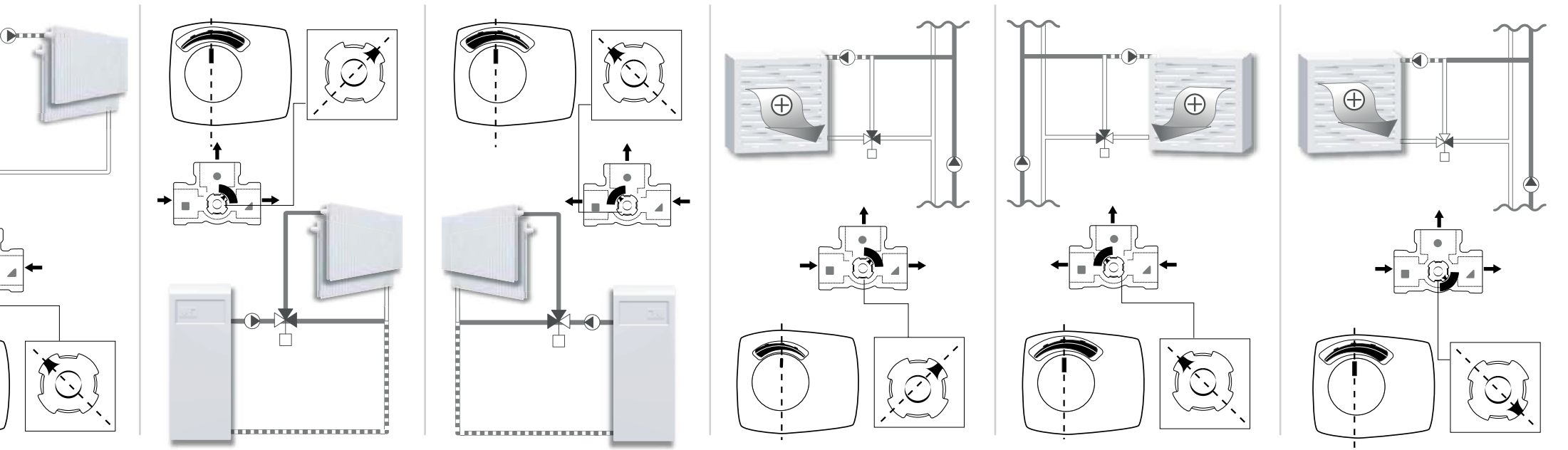
Mtrl.nnr: 9814 02 74 • Ritir.nnr: 8080 utg. F • Rev.1608



SERIES ARA600 2-Point

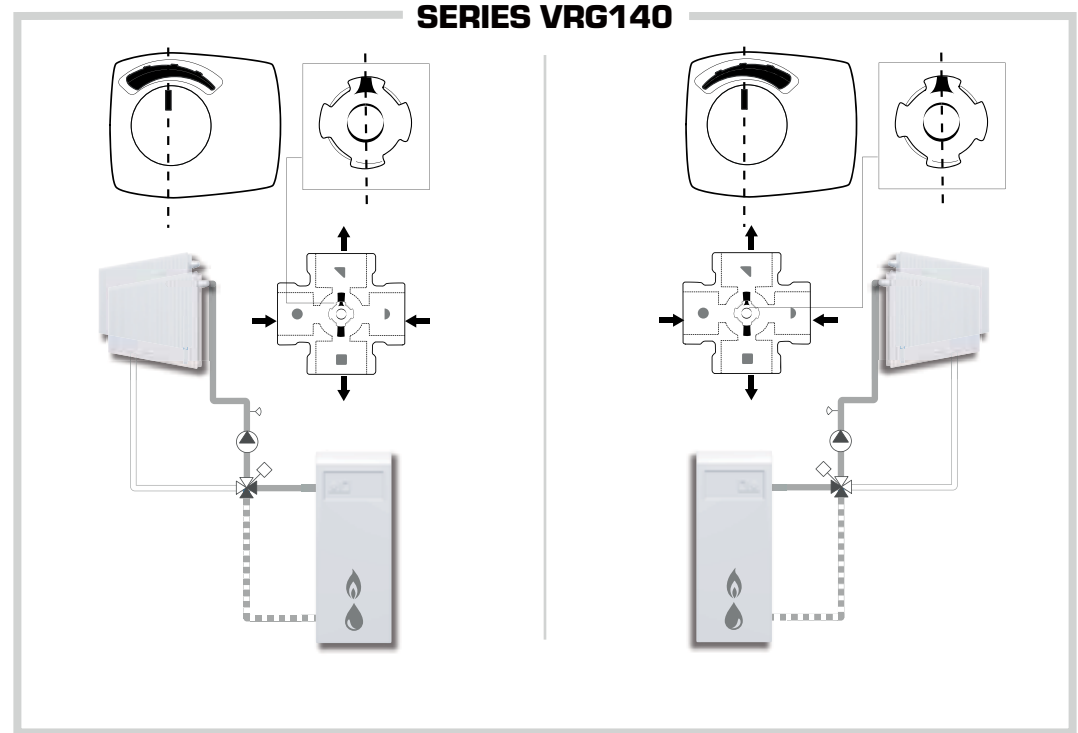


NO.1 IN HYDRONIC SYSTEM CONTROL



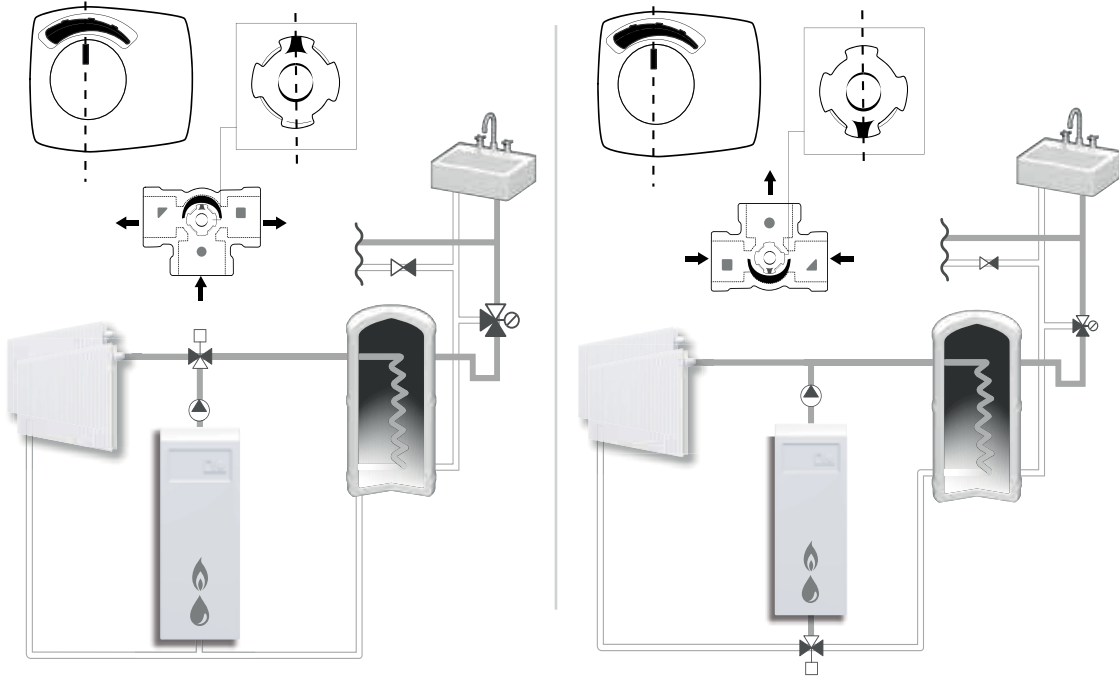
SERIES VRG130

SERIES VRG140

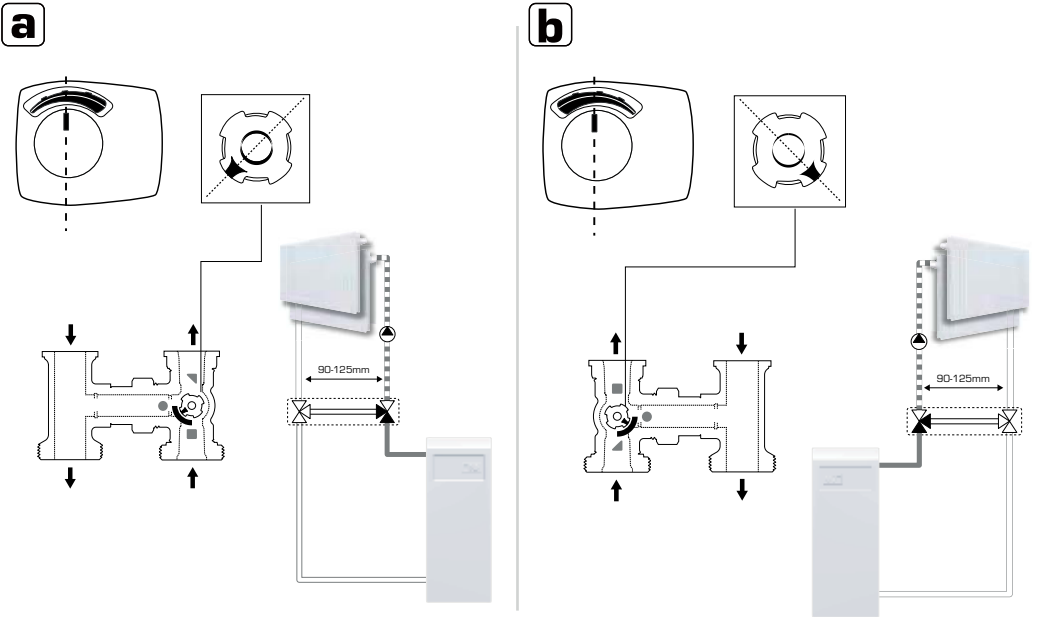


Piping Schematics are General Representations

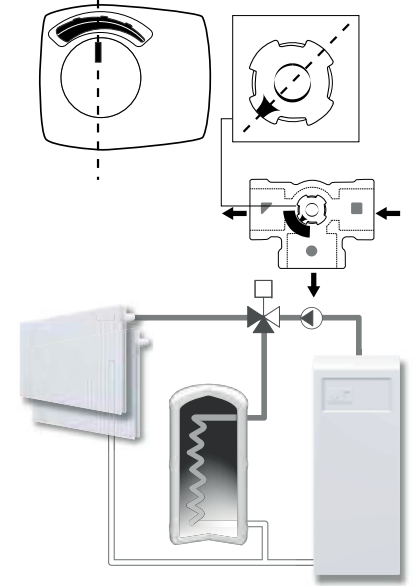
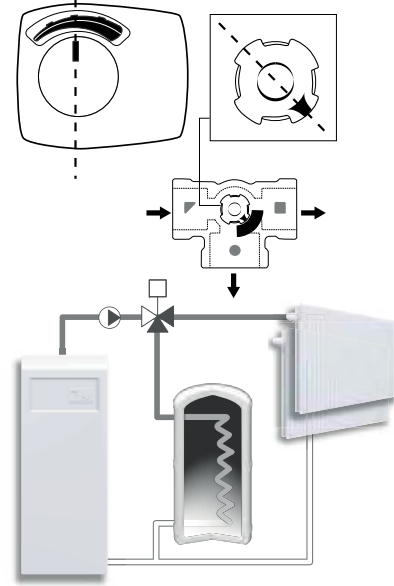
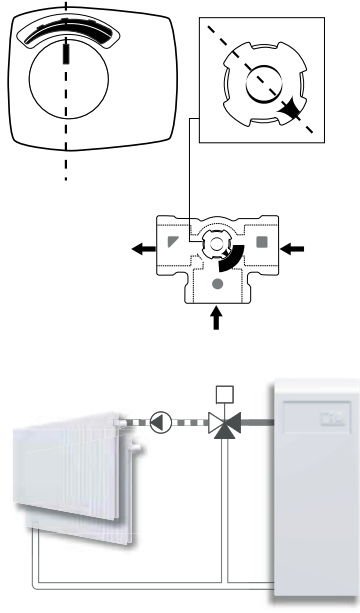
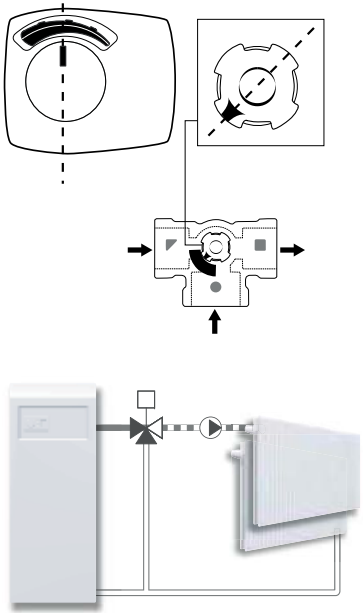
SERIES VRG230



SERIES VRH130

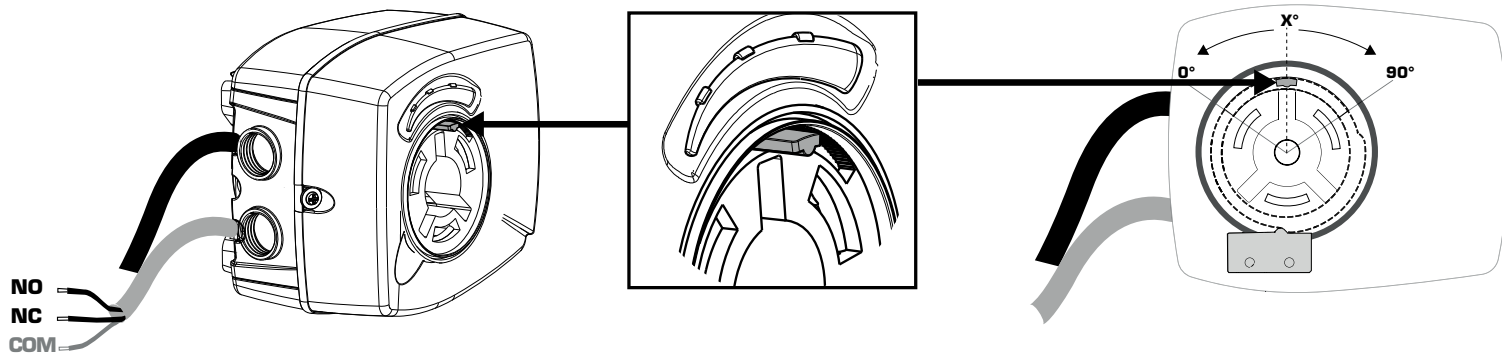


SERIES VRG330





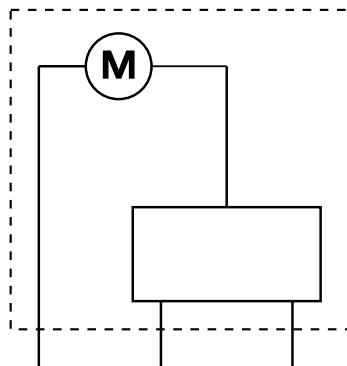
SERIES ARA636, ARA638, ARA646, ARA648, ARA656, ARA658



	0° - (90° - x°)	(90° - x°) - 90°
NO		
NC		
	X° = 45°	



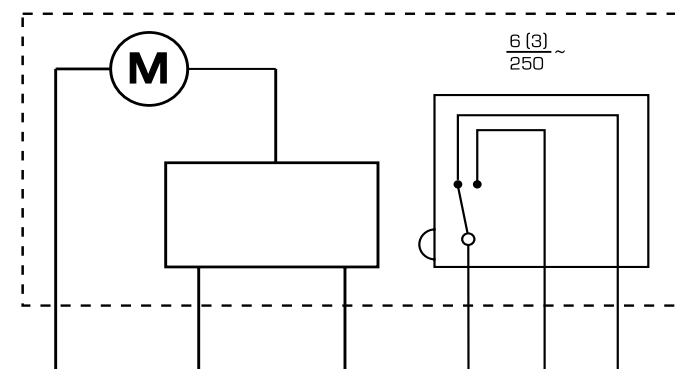
Series ARA635, ARA637, ARA645, ARA647, ARA655, ARA657



2points	N bu	Y bk	L bn
3points	N bu	↺ CCW bk	↻ CW bn



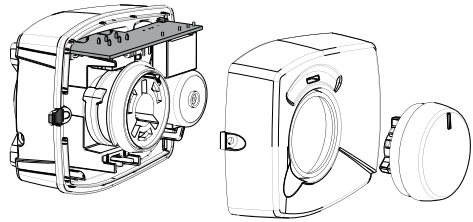
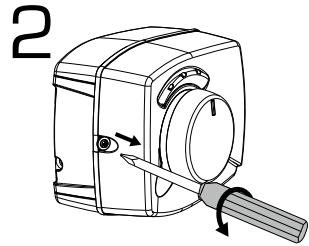
Series ARA636, ARA638, ARA646, ARA648, ARA656, ARA658



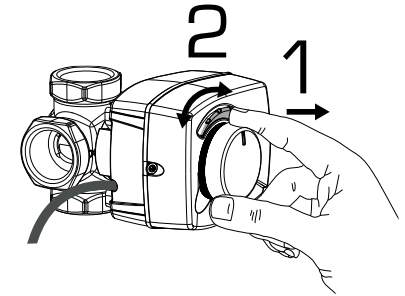
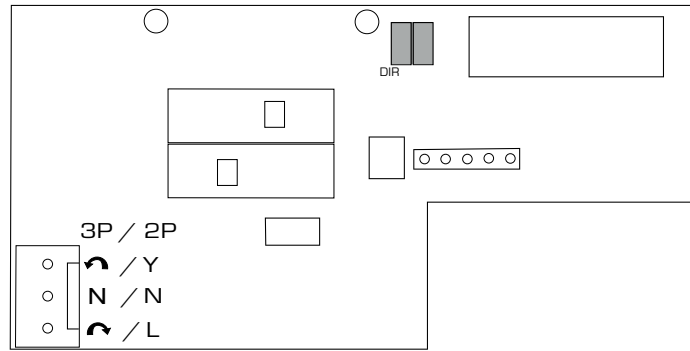
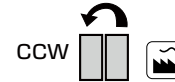
2points	N bu	Y bk	L bn	C wh	NO rd	NC og
3points	N bu	↺ CCW bk	↻ CW bn	C wh	NO rd	NC og



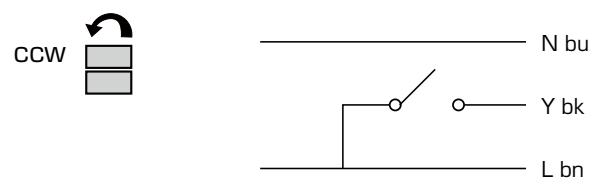
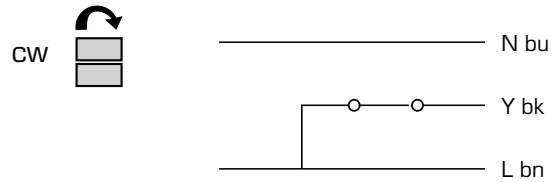
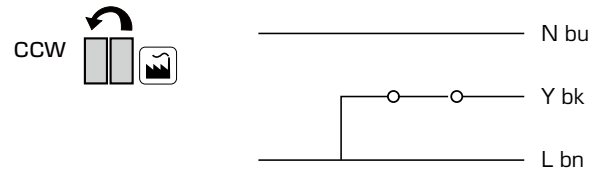
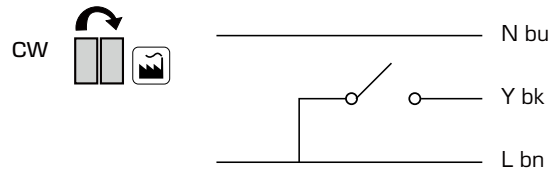
1



DIRECTION



DIRECTION 2-POINT



DIRECTION 3-POINT

