

PRODUCT DATA SHEET (ver.02/01.2018)**1. Name**

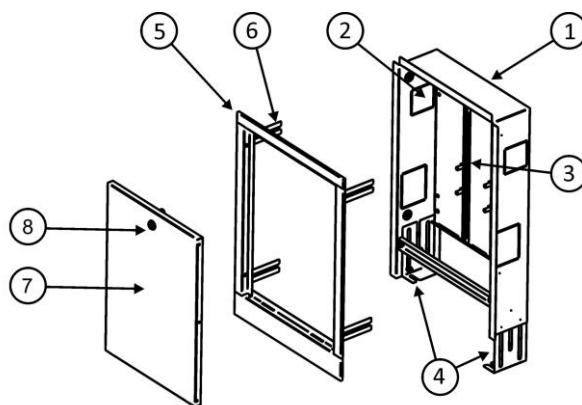
Manifold Cabinets STANDARD (under plaster, shallow under plaster and over plaster)

2. Characteristics and intended use of the product

Manifold Cabinets are intended for in - building water and heating installation distributors.

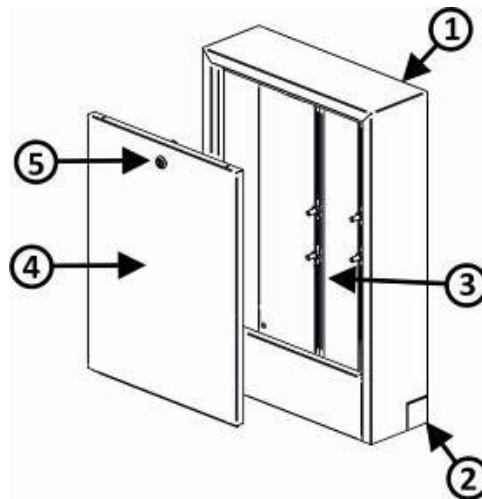
3. Design

Under plaster manifold cabinet:



1. Cabinet body
2. Mounting holes
3. Manifold `s mounting rails
4. Adjustment legs
5. Fascia panel
6. Guide for depth changes
7. Door
8. Lock

Over plaster manifold cabinet:



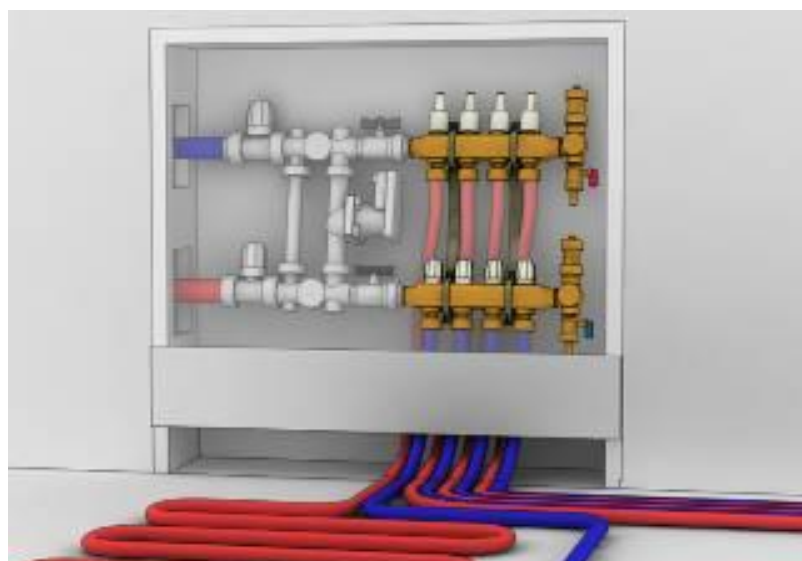
1. Manifold cabinet body
2. Mounting hole intended to be used under baseboard
3. manifold's guide bars
4. Door
5. Lock

4. Principle of operation

Manifold cabinets depending on their version (flush-mounted or surface mounted) are mounted in a wall groove or it is mounted on the surface of a building. Flush-mounted boxes are equipped with adjustment mechanisms allowing to adjust height and depth of **fascia panel** and a box height. The box door is equipped with one of three available locks: key lock, coin lock and grip lock. Slats inside a box make it possible for heating and water system appliances to be installed inside a box. The slat space can be adjusted. The slats come together with a set of mounting screws.

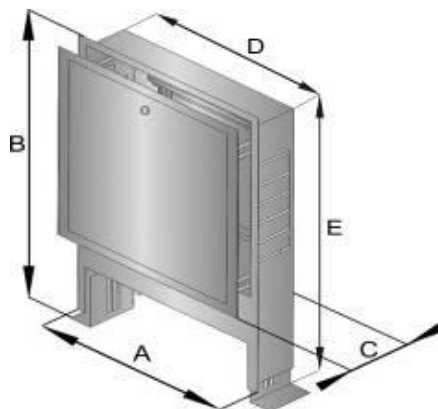
Cabinets have attachment hole for conetion of heating instalation and water instalation

5. Exemplary application



6. Dimensions

Under plaster caninet

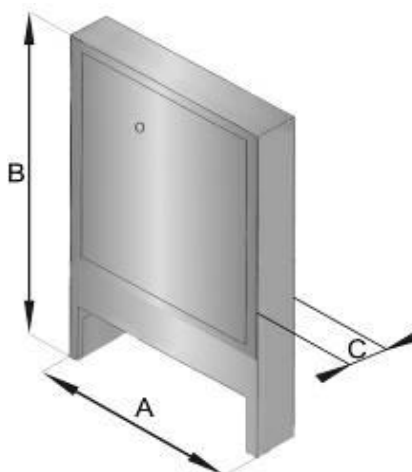


| Code | Box dimensions | Dimensions [mm] | | | | | Manifold circuits | Manifold circuits with mixing set |
|--|----------------|-----------------|----------------|---------------|--------------|---------------|-------------------|-----------------------------------|
| | | Total width A | Total height B | Total depth C | Body width D | Body height E | | |
| Under plaster STANDARD shallow 82-132 | | | | | | | | |
| 9-351X-400-00-35-01 | 400 | 440 | 713÷813 | 82÷132 | 400 | 689 | 4 | - |
| 9-351X-450-00-35-01 | 450 | 490 | 713÷813 | 82÷132 | 450 | 689 | 6 | - |
| 9-351X-530-00-35-01 | 530 | 570 | 713÷813 | 82÷132 | 530 | 689 | 7 | - |
| 9-351X-680-00-35-01 | 680 | 720 | 713÷813 | 82÷132 | 680 | 689 | 10 | - |
| 9-351X-830-00-35-01 | 830 | 870 | 713÷813 | 82÷132 | 830 | 689 | 13 | - |
| 9-351X-103-00-35-01 | 1030 | 1070 | 713÷813 | 82÷132 | 1030 | 689 | 16 | - |
| 9-351X-113-00-35-01 | 1130 | 1170 | 713÷813 | 82÷132 | 1130 | 689 | 18 | - |
| Under plaster STANDARD | | | | | | | | |
| 9-350X-400-00-35-01 | 400 | 440 | 713÷813 | 110÷160 | 400 | 689 | 4 | - |
| 9-350X-450-00-35-01 | 450 | 490 | 713÷813 | 110÷160 | 450 | 689 | 6 | - |
| 9-350X-530-00-35-01 | 530 | 570 | 713÷813 | 110÷160 | 530 | 689 | 7 | 2 |
| 9-350X-680-00-35-01 | 680 | 720 | 713÷813 | 110÷160 | 680 | 689 | 10 | 6 |
| 9-350X-830-00-35-01 | 830 | 870 | 713÷813 | 110÷160 | 830 | 689 | 13 | 8 |
| 9-350X-103-00-35-01 | 1030 | 1070 | 713÷813 | 110÷160 | 1030 | 689 | 16 | 12 |
| 9-350X-113-00-35-01 | 1130 | 1170 | 713÷813 | 110÷160 | 1130 | 689 | 18 | 14 |

X – 1: Coin lock

X – 2: Key lock

Szafki natynkowe



| Code | Box dimensions | Dimensions [mm] | | | Manifold circuits | Manifold circuits with mixing set |
|--|----------------|-----------------|--------------|---------------|-------------------|-----------------------------------|
| | | Total width A | Total high B | Total depth C | | |
| Szafki natynkowe serii STANDARD | | | | | | |
| 9-355X-400-00-35-01 | 400 | 400 | 640 | 135 | 4 | - |
| 9-355X-450-00-35-01 | 450 | 450 | 640 | 135 | 6 | - |
| 9-355X-530-00-35-01 | 530 | 530 | 640 | 135 | 7 | 2 |
| 9-355X-680-00-35-01 | 680 | 680 | 640 | 135 | 10 | 6 |
| 9-355X-830-00-35-01 | 830 | 830 | 640 | 135 | 13 | 8 |
| 9-355X-103-00-35-01 | 1030 | 1030 | 640 | 135 | 16 | 12 |
| 9-355X-113-00-35-01 | 1130 | 1130 | 640 | 135 | 18 | 14 |

X – 1: Coin lock

X – 2: Key lock

7. Technical parameters and material used

| Component /Element | Under plaster cabinet | Over plaster cabinet |
|--------------------|-----------------------|----------------------|
| Body | Zinc coated steel | Powder painted steel |
| Fascia panel | Powder painted steel | Powder painted steel |
| Doors | Powder painted steel | Powder painted steel |
| Legs | Zinc coated steel | Zinc coated steel |
| Mounting slat | Zinc coated steel | Zinc coated steel |
| Lock | Steel / Plastic | Steel / Plastic |

8. Codes

| Code | Box dimensions [mm] | Name |
|---|---------------------|--|
| Under plaster cabinets STANDARD | | |
| 9-350X-400-00-35-01 | 400 | Under plaster cabinets STANDARD 400/713-813/110-160 |
| 9-350X-450-00-35-01 | 450 | Under plaster cabinets STANDARD 450/713-813/110-160 |
| 9-350X-530-00-35-01 | 530 | Under plaster cabinets STANDARD 530/713-813/110-160 |
| 9-350X-680-00-35-01 | 680 | Under plaster cabinets STANDARD 680/713-813/110-160 |
| 9-350X-830-00-35-01 | 830 | Under plaster cabinets STANDARD 830/713-813/110-160 |
| 9-350X-103-00-35-01 | 1030 | Under plaster cabinets STANDARD 1030/713-813/110-160 |
| 9-350X-113-00-35-01 | 1130 | Under plaster cabinets STANDARD 1130/713-813/110-160 |
| Shallow under plaster cabinets STANDARD 82-132 | | |
| 9-351X-400-00-35-01 | 400 | Shallow under plaster cabinets 400/713-813/82-132 |
| 9-351X-450-00-35-01 | 450 | Shallow under plaster cabinets 450/713-813/82-132 |
| 9-351X-530-00-35-01 | 530 | Shallow under plaster cabinets 530/713-813/82-132 |
| 9-351X-680-00-35-01 | 680 | Shallow under plaster cabinets 680/713-813/82-132 |
| 9-351X-830-00-35-01 | 830 | Shallow under plaster cabinets 830/713-813/82-132 |
| 9-351X-103-00-35-01 | 1030 | Shallow under plaster cabinets 1030/713-813/82-132 |
| 9-351X-113-00-35-01 | 1130 | Shallow under plaster cabinets 1130/713-813/82-132 |
| Over plaster cabinets STANDARD | | |
| 9-355X-400-00-35-01 | 400 | Over plaster cabinet STANDARD 400/713-813/110-160 |

| | | |
|----------------------------|------|--|
| 9-355X-450-00-35-01 | 450 | Over plaster cabinet STANDARD 450/713-813/110-160 |
| 9-355X-530-00-35-01 | 530 | Over plaster cabinet STANDARD 530/713-813/110-160 |
| 9-355X-680-00-35-01 | 680 | Over plaster cabinet STANDARD 680/713-813/110-160 |
| 9-355X-830-00-35-01 | 830 | Over plaster cabinet STANDARD 830/713-813/110-160 |
| 9-355X-103-00-35-01 | 1030 | Over plaster cabinet STANDARD 1030/713-813/110-160 |
| 9-355X-113-00-35-01 | 1130 | Over plaster cabinet STANDARD 1130/713-813/110-160 |

X – 1: Coin lock

X – 2: Key lock

9. Logistic data

| Code | Type | Unit Package | | | Pallet 2,0 m | |
|----------------------------|---|-------------------|------------------------------|-------------|---|-----------------|
| | | Quantity [pieces] | Dimensions: | Weight [kg] | Unit Package Quantity on a Palette [pcs.] | Quantity [pcs.] |
| | | | length x height x width [mm] | | | |
| 9-350X-400-00-35-01 | Under plaster cabinet STANDARD | 1 | 445x117x722 | 6,8 | 24 | 163,2 |
| 9-350X-450-00-35-01 | | 1 | 495x117x722 | 7 | 24 | 168,0 |
| 9-350X-530-00-35-01 | | 1 | 575x117x722 | 7,9 | 24 | 189,6 |
| 9-350X-680-00-35-01 | | 1 | 725x117x722 | 9,9 | 12 | 118,8 |
| 9-350X-830-00-35-01 | | 1 | 875x117x722 | 12,2 | 12 | 146,4 |
| 9-350X-103-00-35-01 | | 1 | 1075x117x722 | 13,8 | 12 | 165,6 |
| 9-350X-113-00-35-01 | | 1 | 1175x117x722 | 15,2 | 12 | 182,4 |
| 9-351X-400-00-35-01 | Shallow under plaster cabinet STANDARD | 1 | 445x95 x722 | 6,7 | 34 | 227,8 |
| 9-351X-450-00-35-01 | | 1 | 495x95 x722 | 7,2 | 34 | 244,8 |
| 9-351X-530-00-35-01 | | 1 | 575x95 x722 | 8,1 | 40 | 324,0 |
| 9-351X-680-00-35-01 | | 1 | 725x95 x722 | 9,7 | 23 | 223,1 |
| 9-351X-830-00-35-01 | | 1 | 875x95 x722 | 11,3 | 17 | 192,1 |
| 9-351X-103-00-35-01 | | 1 | 1075x95 x722 | 13,7 | 17 | 232,9 |
| 9-351X-113-00-35-01 | | 1 | 1175x95 x722 | 14,3 | 12 | 171,6 |
| 9-355X-400-00-35-01 | Over plaster cabinet STANDARD | 1 | 415x140x650 | 5,4 | 48 | 259,2 |
| 9-355X-450-00-35-01 | | 1 | 465x140x650 | 6,4 | 30 | 192,0 |
| 9-355X-530-00-35-01 | | 1 | 545x140x650 | 7,4 | 30 | 222,0 |
| 9-355X-680-00-35-01 | | 1 | 695x140x650 | 8,6 | 24 | 206,4 |
| 9-355X-830-00-35-01 | | 1 | 845x140x650 | 10,1 | 24 | 242,4 |
| 9-355X-103-00-35-01 | | 1 | 1045x140x650 | 12 | 24 | 288,0 |
| 9-355X-113-00-35-01 | | 1 | 1145x140x650 | 13 | 24 | 312,0 |

X – 1: Coin lock

X – 2: Key lock

10. Box packaging



11. Advantages

- high quality of workmanship supervised on the permanent basis during manufacturing process
- high workmanship that guarantees stability of the box and reliable mounting of a distributor
- a number of holes intended for pipe branch guarantees multi-purpose connection method of supply and return installation from any side of the box
- adjustable legs and fascia panel allow an ideal facing of the box with the surface of the wall
- big, removable door guarantees a free access to the interior of the box
- a wide range of box sizes allows each type of distributor to be fitted to a box
- the box door and fascia panel are painted white according to RAL 9001/9002
- high quality of paint coat of fascia panel and doors and the box body made of zinc metal sheet guarantee high resistance to corrosion
- three types of the box door lock – polymer/plastic, key and coin locks

12. Warranty and liability

During the installation it is required to observe OHS rules included in building regulations and norms. Capricorn S.A. More information about warranty and extent of liability on www.capricorn.pl/en

13. Manufacturer

Capricorn S.A.

58-160 Świebodzice,
Ciernie 11

tel./fax +48/74/854 05 16

www.capricorn.pl/en

e-mail: capricorn@capricorn.pl

Products, texts, pictures, drawings and diagrams presented in this document may be changed by Capricorn S.A. without prior notification and without giving a reason. Please visit our web site www.capricorn.pl/en for more detail.