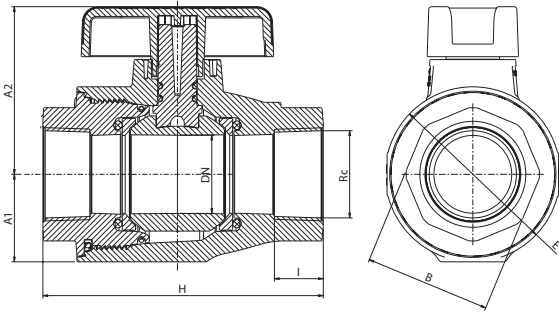




## BALL VALVE 03703



DN x Rc/NPT	Rp*	A1	A2	H	I	B	E	UC	W
20 x 3/4"	1/8"	27	54	97	18	36	53	72	175
25 x 1"	1/8"	33	64	116	21	46	64	72	313
32 x 1 1/4"	1/4"	36	70	118	20	55	73	72	393
40 x 1 1/2"	1/4"	45	87	144	24	65	91	30	712
50 x 2"	1/4"	53	97	162	29	75	100	24	918

\* Optional drain ports ISO 7-1 Rp thread

## PLASSON'S BALL VALVE

FULL BORE BALL VALVE WITH A DRAIN PORT OPTION!

### Plasson's Ball Valve's features and benefits

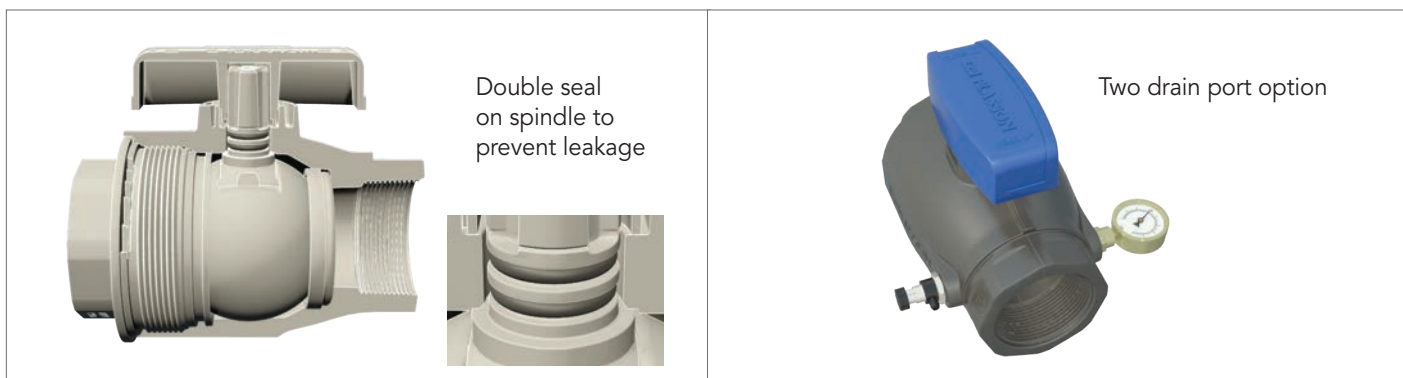
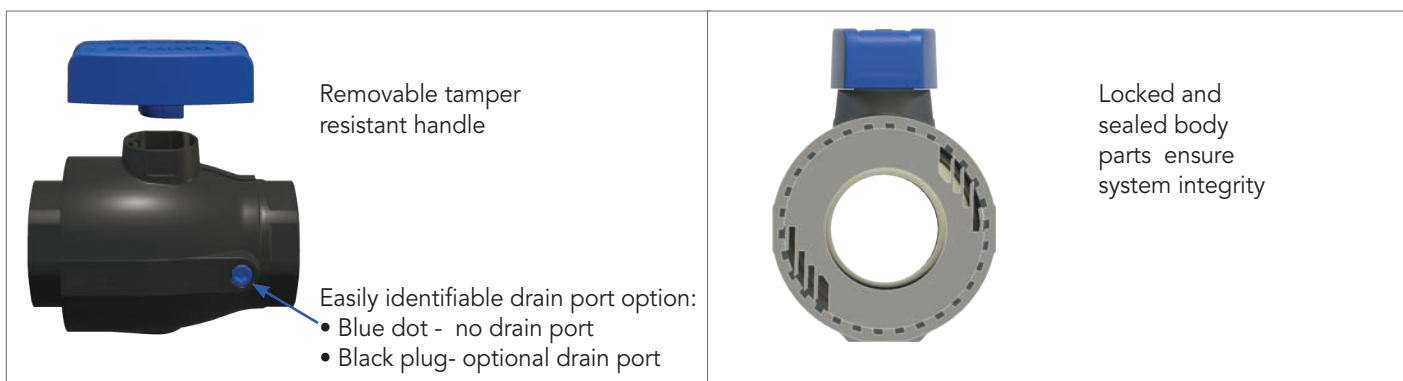
• Non Metallic	• Double seal on spindle to prevent leakage
• 100% Tested	• Rated PN16/231 PSI
• Full bore design minimizing pressure loss	• Approved for potable water
• Various drainage options	• Aesthetic design
• Tamper resistant design – removable handle and a safety lock	• Glass Reinforced Polyamide body

**Plasson's Ball Valve** is produced entirely of plastic, eliminating the risk of corrosive damage to the system.

**Plasson's Ball Valve** features an option for two drain ports or no drain ports. Ideally suited for draining or sampling of potable water systems and monitoring system pressure, Plasson's valves allow simple and direct connections to hoses without tampering with the system line.



**Plasson's Ball Valve** is easy to use, tamper proof as well as safe and reliable



**Operating pressure:**

Plasson's Ball Valve is rated PN16/231 PSI

**Standards:**

Plasson's Ball Valve is tested according to AS 5830, and to the standards AS 4020, NSF 61 for use with potable water.

The threads are Rc according to ISO 7-1 or NPT.

