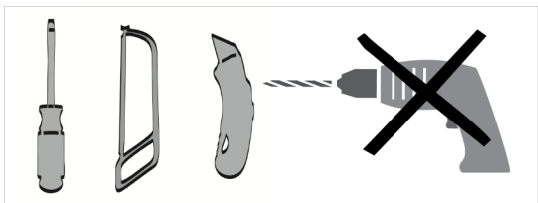


Preloc 400- Series

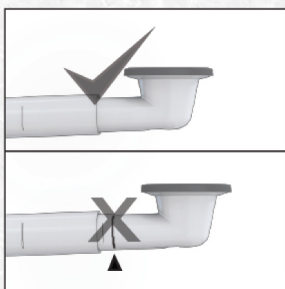
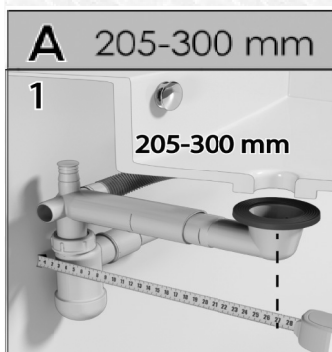
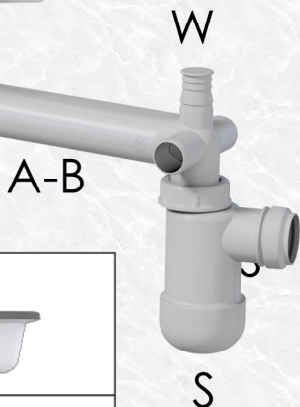
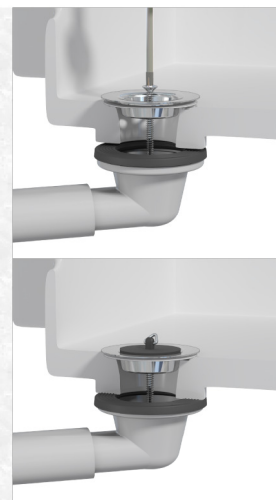
Certified in accordance to EN 274-1:2002

PREVEX

www.prevex.com



Screw Length	Sink Thickness
32mm	1-15mm
45mm	15-30mm
50mm	20-35mm
60mm	30-45mm
70mm	40-55mm
80mm	50-65mm



B LENGTH OF THE SIPHON ARM 145-205 mm

